

GOLDEN CITY LODGE NO. 1 A.F. & A.M.

2020 STANDING COMMITTEES

WELFARE

W Page, WM – Chair
D Albrecht, SW
M Elegino, JW
D Hayman, Sec, PM

MEMORIAL FUNDS

W Page, WM - Chair
D Albrecht, SW
M Elegino, JW

GRIEVANCE

D Albrecht, SW - Chair
W Page, WM
M Elegino, JW

FINANCE

M Elegino, JW - Chair
R Wenzel, Tr, PM

POSTING

T McKean, SD - Chair
B Walker, PM
W Page, WM
C Westerhoff, PM

INVESTMENTS

J. Bartos (Chair) (2021)
V. Walker (2020)
R Wenzel Tr. (non-voting)

2020 SPECIAL COMMITTEES

SCHOLARSHIPS

W. Page (Chair)
B. Walker
R. Puckett

TECHNOLOGY

W. Page (Chair)
R. Pucket
T. Zumalt

EDUCATION

W. Page (Chair)
P. Good
D. Albrecht

MUSIC

D. Hayman (Chair)
P. Good

**GOLDEN MASONIC TEMPLE ASSOCIATION
BOARD OF DIRECTORS**

R. Puckett, President (2018-2022)
T. Zumalt, Sec/Treasurer (2019-2023)
J. Bartos, (2018-2021)
P. Good, (2020-2025)
A. Smith, (2020-2025)

**Degree coaching by appointment.
Please call:
601-870-8366**

**CURRENT PAST & AFFILIATED
MASTERS**

Merritt Smith:1967
Arthur Toney: 1974
James Arbuckle: 1980
Michael Mills:1984
Timothy Johansson: 1985
Charles Robinson: 1989
Craig Petty: 1997
Cliff Addenbrooke: 2001
Byron Walker: 2002
Byron Walker: 2003
Richard Wenzel: 2005
David Cooper: 2006
Thomas Dunn: 2007
Thomas Dunn: 2008
Michael Tims: 2009
Richard Wenzel: 2010
Daniel Hayman: 2011
Chris Westerhoff 2013
Steven Walker, 2014
Kevin Alcox, 2015
Robert Ceriale, 2016
Ryan Puckett 2017
Thomas Zumalt 2018
Patrick Good 2019
John Bartos 2019
Larry Bangert
Walter Cooley
Frank Duff
Michael Halpin
John Hohnstein
Lloyd McKean
Charles Noah
James Norris
Larry Ott

- Fees for Degrees: \$150
- 2020 Annual Dues and Per Capita
 - Regular Members: \$100 + \$74 = \$174
 - 65+ years of age plus 25+ years as MM: \$75 + \$74 = \$149

Items for Sale

Golden Lodge Logo T-shirts.....	\$10.00
Golden Lodge Logo Polo-shirt0...	\$15.00
Further Light (booklet)	\$8.00
Clear Text Key (MM).....	\$35.00

The Golden City Temple Facility is Available!

For weddings; receptions; anniversary, graduation, and birthday parties; reunions; gatherings; recitals; plays; meetings and the like, our facility is beautiful, functional and affordable!

Please contact the Temple Board (303-279-9902) for rental fees and availability.

VETERANS AND FIRST RESPONDERS

We are adding your service to our data base! Please advise the Secretary if you have served or are serving in the military (your branch) or if you are/were a first responder.

NON-PROFIT ORG.
U.S. POSTAGE PAID
GOLDEN, COLO.
PERMIT No. 91

DATED MATERIAL

Golden City Lodge No. 1
A.F. & A.M.
400 Tenth Street
Golden, Colorado 80401

Return Service Requested



**Golden City Lodge No. 1,
A.F. & A.M.**

Chartered October 17, 1860

September/October 2020

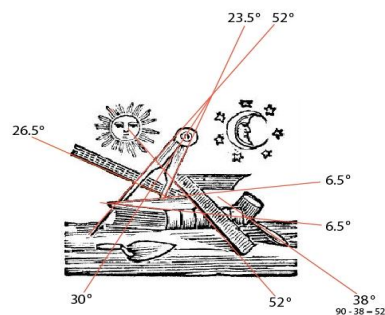
**Masonic Temple Street/Mailing
Address:**

Golden City Lodge No. 1 A.F. & A.M.
400 Tenth Street
Golden, Colorado 80401

**Masonic Temple Telephone
Number:**
(303) 279-9902

Web Site:

www.GoldenCityLodge1.org



Golden City Lodge NO. 1, A.F. & A.M.

EVENTS SCHEDULE

September 21 Stated Meeting: FC proficiencies and bi-laws discussion
No Dinner Served This Meeting

October 5 Stated Meeting: EA Degree
Dinner Will Be Served This Meeting (6PM)

October 19 Stated Meeting: Masonic Education
No Dinner Served This Meeting

Please join us for our ongoing monthly "virtual meetings." Zoom meeting links are sent via e-mail to all Brothers.

Youth Groups Events

Bethel No. 43, Job's Daughters

2nd & 4th Mondays, 6:45 PM**

(girls, 11 – 18, jobes2be 8 – 10)

Columbine Assembly No. 96, Rainbow for Girls

1st and 3rd Thursdays, 7:00 PM**

(girls, 10 – 18, pledges 8 – 9)

Golden Chapter, Order of DeMolay

1st and 3rd Tuesdays, 7:00 PM**

(boys, 11 – 18, squires 9-10)

** Master Masons Welcome

Every 4th Sunday, 8 – 11 AM. Pancake Breakfast at Fellowship Hall (**SUSPENDED – COVID-19**)

Message of the Worshipful Master

Brethren,

I hope this message finds you and your loved ones healthy and safe. I often find that it is very easy to get caught up in the hustle and bustle of daily life and to lose focus on the things that really matter and that are deserving of our attention and energy. The events of this year have caused many of us to pause and reflect on exactly what matters most. For me it is unquestionably family, friends, and my Masonic Brothers. I take comfort in the bonds of Brotherhood this fraternity has brought to me and knowing that I have good men standing by my side.

During our Special Communication that was held on July 25th, we had the pleasure of passing our 4 newest Fellow Crafts. Congratulations to Brothers Aaron Combe, Benjamin Miller, Hemchandra Mahaseth and William Ott. Remember that your Masonic education does not end with the degrees. Please call on your Brethren any time for any questions you may have or to shed light on the teachings of this degree. I look forward to having some Master Mason raisings later this year!

We may likely have an EA Degree on our first meeting in Oct. Please join us for this event as it is important that our new Brethren feel welcomed and supported as they begin their Masonic journey. Our lodge room is very spacious and social distancing is easy to accomplish. If you plan to attend, why not invite some of your Masonic friends from other lodges as well?

The Grand Lodge Education Committee will not be holding its annual Masonic Symposium this year. In lieu of this, the committee will have a handful of live presentations online that you will not want to miss. These are open to Masons of all three degrees and are sure to cover a variety of topics and interests. Stay tuned to OLP, our web site and your email for more details once they are finalized.

As always, please feel free to reach out to me if there is ever anything you need or that I can do for you. We are all in this together.

Fraternally,
Wyatt Page - WM

CONTACTS

- Call **303-279-9902** to contact Golden City Lodge No. 1 AF&AM, Mt. Zion Chapter No. 133 OES, Golden Chapter No. 5 RAM, Jefferson Council No. 24 R&SM, Jefferson Highlands Commandery No.30, Friendship Court No. 7 Amaranth, Bethel No. 43 Job's Daughters, Columbine Assembly No. 96 Rainbow for Girls, Golden Chapter DeMolay.
- Call **303-861-4261** for Denver Consistory or **866-289-6797** for Scottish Rite Child Language Disorders Foundation
- Call **303-455-3470** for El Jebel Shrine or **1-800-237-5055** for Shriners Hospital or Burn Center for Children
- Call **303-756-9489** for the Robert Russell

Did You Know?

When Brothers Richard E. Byrd and Bernt Balchen first flew over the North and South Poles, they dropped a Masonic flag on each Pole. Then, in the 1933 expedition, Brother Balchen tossed his Shrine Fez on the North Pole.

In 1892 the world's tallest building @ 210 feet, was the Masonic Temple at Randolph and State Streets in Chicago with 14 floors and 1037 rooms.

In 1952, eighty-nine percent of the U.S. Supreme Court Justices were Freemasons.

The highest Masonic Lodge on earth is Roof of the World Lodge No.1094, located in Oroya, Peru. Its elevation is 14,167 feet

The highest Masonic Lodge in the United States is Corinthian Lodge No.35 located in Leadville, Colorado. Its elevation is 10,152 feet

The Lowest Lodge in the United States is Winnedumah Lodge No. 287 of Bishop, CA. It occasionally hold meetings in Death Valley at 270 feet below sea level.

Source: patuxentlodge218.org

GOLDEN CITY LODGE NO. 1, A.F. & A.M. 2020 OFFICERS

WORSHIPFUL MASTER: Wyatt Page

SENIOR WARDEN: Drew Albrecht

JUNIOR WARDEN: Mike Elegino

TREASURER: Richard Wenzel

SECRETARY: Daniel Hayman
720-808-1326

400 Tenth Street, Golden, CO 80401
Secretary@GoldenCityLodge1.org

SENIOR DEACON: Thomas McKean

JUNIOR DEACON: Andrew Smith

SENIOR STEWARD: Jose Lopez

JUNIOR STEWARD: David Buckingham

CHAPLAIN: Victor Walker

MARSHAL: TBD

TYLER: Christopher Westerhoff

**DIRECTOR OF THE WORK:
Christopher Westerhoff**

DISTRICT LECTURER: Michael Tims

TEMPLE CARETAKER AND SCHEDULER

Craig Petty
Temple Telephone (303) 279-9902

