



Brother Robert Beer is a member and past Chaplain of Golden City Lodge #1 and currently lives in Arizona. Bob's painting, *Coming Home*, depicts Buffalo Bill Cody proudly standing in front of Golden City Lodge.

Coming Home
by,
Brother Robert Beer

CONTACTS

- Call **303-279-9902** to contact Golden City Lodge No. 1 AF&AM, Mt. Zion Chapter No. 133 OES, Golden Chapter No. 5 RAM, Jefferson Council No. 24 R&SM, Jefferson Highlands Commandery No.30, Friendship Court No. 7 Amaranth, Bethel No. 43 Job's Daughters, Columbine Assembly No. 96 Rainbow for Girls, Golden Chapter DeMolay.
- Call **303-861-4261** for Denver Consistory or **866-289-6797** for Scottish Rite Child Language Disorders Foundation
- Call **303-455-3470** for El Jebel Shrine or **1-800-237-5055** for Shriners Hospital or Burn Center for Children
- Call **303-756-9489** for the Robert Russell Eastern Star Masonic Center and Village

- Fees for Degrees: \$150
- 2021 Annual Dues and Per Capita
 - Regular Members: \$125 + \$82 = \$207
 - 65+ years of age plus 25+ years as MM: \$100 + \$82 = \$182

Items for Sale

- Golden Lodge Logo T-shirts.....\$10.00
- Golden Lodge Logo Polo-shirt0...\$15.00
- Further Light (booklet)\$8.00
- Clear Text Key (MM).....\$35.00

The Golden City Temple Facility is Available!

For weddings; receptions; anniversary, graduation, and birthday parties; reunions; gatherings; recitals; plays; meetings and the like, our facility is beautiful, functional and affordable!

Please contact the Temple Board (303-279-9902) for rental fees and availability.

VETERANS AND FIRST RESPONDERS

We are adding your service to our data base! Please advise the Secretary if you have served or are serving in the military (your branch) or if you are/were a first responder.

Golden City Lodge No. 1
A.F. & A.M.
400 Tenth Street
Golden, Colorado 80401

Return Service Requested

NON-PROFIT ORG.
U.S. POSTAGE PAID
GOLDEN, COLO.
PERMIT No. 91

DATED MATERIAL



Golden City Lodge No. 1, A.F. & A.M.

Chartered October 17, 1860

September/October 2021

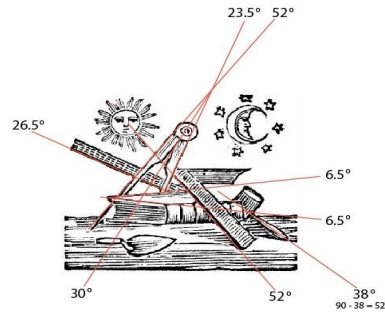
Masonic Temple Street/Mailing Address:

Golden City Lodge No. 1 A.F. & A.M.
400 Tenth Street
Golden, Colorado 80401

Masonic Temple Telephone
Number:
(303) 279-9902

Web Site:

www.GoldenCityLodge1.org



Golden City Lodge No. 1, A.F. & A.M.

EVENTS SCHEDULE

September 20 Agenda:
Business/Fellowship/Education

October 4 Agenda:
Fellowcraft Degree (tentative)

October 18 Agenda:
Master Mason Degree (tentative)

Youth Groups Events

Bethel No. 43, Job's Daughters
2nd & 4th Mondays, 6:45 PM**
(girls, 11 – 18, jobs2be 8 – 10)

Columbine Assembly No. 96, Rainbow for Girls
1st and 3rd Thursdays, 7:00 PM**
(girls, 10 – 18, pledges 8 – 9)

Golden Chapter, Order of DeMolay
1st and 3rd Tuesdays, 7:00 PM**
(boys, 11 – 18, squires 9-10)
** Master Masons Welcome

Every 4th Sunday, 8 – 11 AM. Pancake Breakfast at Fellowship Hall

Message of the Worshipful Master

Brethren,

I hope the summer has been good for and to you and yours.

This summer has been a busy one. We have Raised four Master Masons and Initiated two more Entered Apprentices. I would like to congratulate the Brothers on their progress and thank the degree teams on all their hard work. When we come back, we have two more Brothers to Raise and at least one Brother ready to pass to Fellowcraft.

Brother JS Tom and I went to the Grand Lodge budget meeting and will inform you that our per capita dues will remain the same next year. It was a great experience and we talked to many Brothers we had not yet had the joy of meeting before as well as a chance to catch up with a few Brothers we did know. I highly recommend every Brother try and attend a Grand Lodge meeting, it is an experience you will remember.

I look forward to the rest of the year with all of you and the continuance of our journey through Masonry.

Fraternally,
Drew Albrecht, WM

Candlelight

The Lodge to which Mozart belonged, “Zur Neugekronten Hoffnug,” had in its membership “One Ruling Prince, 36 Counts, one Marquis, 14 Barons and 42 Nobles, Officers, Ambassadors, Chamberlains, Prebendaries,”; had a Masonic library of 1900 Volumes, and a laboratory theatre in which concerts and lectures were given.

“A Medley of Masonic Miscellanea by E.E. Hedblom”

Freemasonry had a powerful effect on Mozart’s life, which can be seen through his various pieces of music. He wrote at least eight compositions for the Masons, including his Freemason’s Funeral Music. Experts also detect influences of Masonry in his famous opera “The Magic Flute.” To those that have studied his life and work, it is evident that Mozart made conscious use of Masonic themes and symbolism within his music.



“The Magic Flute”; Image by Pennsylvania State University

While Mozart established a legacy as one of the greatest composers of all time, he did not enjoy much glamour towards the end of his life. He spent his last years in much debt and, at times, depressed. He died tragically at age 35 and was buried in an unmarked grave, unrecognized by society. Through his struggles, Mozart often reached out to his Brothers for financial and moral support, often seeking comfort in various lodges during his time touring as well.

Despite the unfortunate final chapter of his life, Mozart left an everlasting legacy through his music. His works continue to inspire countless people and new generations across the world today. A man of unparalleled creativity and influence, we are proud to call him Brother.

<https://scottishritenmj.org/blog/mozart-the-musical-freemason>

**GOLDEN CITY LODGE No. 1,
A.F. & A.M.
2021 OFFICERS**

WORSHIPFUL MASTER:
Drew Albrecht

SENIOR WARDEN: Mike Elegino

JUNIOR WARDEN: Thomas McKean

TREASURER: Richard Wenzel

SECRETARY: Daniel Hayman
720-808-1326

400 Tenth Street, Golden, CO 80401
Secretary@GoldenCityLodge1.org

SENIOR DEACON: Andrew Smith

JUNIOR DEACON: Tom Zumalt

SENIOR STEWARD: David Buckingham

JUNIOR STEWARD: TBD

CHAPLAIN: Victor Walker

MARSHAL: Ryan Pucket

TYLER: Craig Petty

DIRECTOR OF THE WORK:
TBD

DISTRICT LECTURER: Michael Tims

