

Message of the Senior Warden

Brothers,

Fall is in full swing and change is in the air. My spouse has matched to Fellowship training in Cleveland, OH for Critical Care. I'll be taking my leave sometime next summer (or earlier). With that said, I will be stepping down from the line to focus on enjoying my last bit in Colorado and prepare for this new transition. It was a pleasure working with you all. I just wanted to thank everyone for the warm welcome into Colorado Masonry. I've enjoyed my time serving as an officer and the fellowship that each of you bring to our lodge. I'm excited about the growth of #1 over the last year, and I'm hoping to see that continue! Keep up the great work!

Stay safe and enjoy the upcoming holidays!

Fraternally,
Mike Elegino, SW

November Birthdays

Worshipful Brother	Timothy Johansson
Brother	Larry McEntire
Brother	Jonathan Sellars
Worshipful Brother	Richard Wenzel
Brother	Ronnie Pitcock

CONTACTS

- Call **303-279-9902** to contact Golden City Lodge No. 1 AF&AM, Mt. Zion Chapter No. 133 OES, Golden Chapter No. 5 RAM, Jefferson Council No. 24 R&SM, Jefferson Highlands Commandery No.30, Friendship Court No. 7 Amaranth, Bethel No. 43 Job's Daughters, Columbine Assembly No. 96 Rainbow for Girls, Golden Chapter DeMolay.
- Call **303-861-4261** for Denver Consistory or **866-289-6797** for Scottish Rite Child Language Disorders Foundation.
- Call **303-455-3470** for El Jebel Shrine or **1-800-237-5055** for Shriners Hospital or Burn Center for Children.
- Call **303-756-9489** for the Robert Russell Eastern Star Masonic Center and Village.

- | |
|--|
| <ul style="list-style-type: none"> • Fees for Degrees: \$150 • 2021 Annual Dues and Per Capita <ul style="list-style-type: none"> - Regular Members: \$125 + \$82 = \$207 - 65+ years of age plus 25+ years as MM: \$100 + \$82 = \$182 |
|--|

Items for Sale

Golden Lodge Logo T-shirts.....	\$10.00
Golden Lodge Logo Polo-shirt0...	\$15.00
Further Light (booklet)	\$8.00
Clear Text Key (MM).....	\$35.00

The Golden City Temple Facility is Available!

For weddings; receptions; anniversary, graduation, and birthday parties; reunions; gatherings; recitals; plays; meetings and the like, our facility is beautiful, functional and affordable!

Please contact the Temple Board (303-279-9902) for rental fees and availability.

VETERANS AND FIRST RESPONDERS

We are adding your service to our data base! Please advise the Secretary if you have served or are serving in the military (your branch) or if you are/were a first responder.

Golden City Lodge No. 1
A.F. & A.M.
400 Tenth Street
Golden, Colorado 80401

Return Service Requested

NON-PROFIT ORG.
U.S. POSTAGE PAID
GOLDEN, COLO.
PERMIT No. 91

DATED MATERIAL



**Golden City Lodge No. 1,
A.F. & A.M.**

Chartered October 17, 1860

November 2021

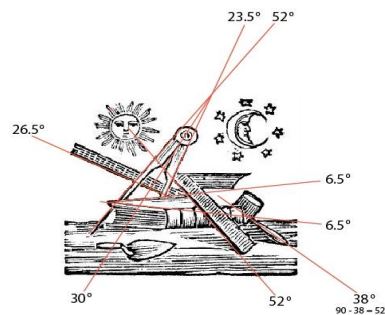
**Masonic Temple Street/Mailing
Address:**

Golden City Lodge No. 1 A.F. & A.M.
400 Tenth Street
Golden, Colorado 80401

**Masonic Temple Telephone
Number:**
(303) 279-9902

Web Site:

www.GoldenCityLodge1.org



Golden City Lodge NO. 1, A.F. & A.M.

EVENTS SCHEDULE

November 1st, Step-Up Night
Dinner at 6PM, Public Welcome
All Brothers Welcome

November 15th, Business Meeting & Light
Education
All Brothers Welcome

Youth Groups Events

Bethel No. 43, Job's Daughters
2nd & 4th Mondays, 6:45 PM**
(girls, 11 – 18, jobs2be 8 – 10)

**Columbine Assembly No. 96, Rainbow for
Girls**

1st and 3rd Thursdays, 7:00 PM**
(girls, 10 – 18, pledges 8 – 9)

Golden Chapter, Order of DeMolay

1st and 3rd Tuesdays, 7:00 PM**
(boys, 11 – 18, squires 9-10)
** Master Masons Welcome

Message of the Worshipful Master

Hello Brothers,

I hope this message finds you and yours healthy and well. We have had another busy and productive month in the Golden Lodge, two FC degrees and two MM degrees. This coming month I expect we will have quite a few proficiencies also, which are always good to see. Our first meeting this month is going to be a fun one with a step-up night which gives future officers a chance to feel out the next chair. I am looking forward to it.

Today I have been thinking of all the things I need to do for Lodge, for family, for work, and for neighbors and I am reminded of one of the reasons I joined Masonry. I wanted to (and still do want to) improve myself. When I was younger, the more items I had on my to do list the more stressed I got. My list has grown, and I still get stressed but I have more tools to deal with things. One of the things Masonry has taught me to do is how to organize my thoughts, words, and deeds. I have the tools to put important items first and make sure they are taken care of, I have organized my time to set aside moments to plan so things do not become emergencies. I have found Brothers I can rely on to help if I feel I am drowning (and I hope they know that they can call on me if they feel the same way). I will still feel stress, but Masonry has given me the tools to deal with life, and for that I am thankful. I hope for each of you to think of somewhere in life you would like to have some self-improvement and think about the lessons from Masonry that can help you reach those goals.

Fraternally,
WM Drew Albrecht

Candlelight

Anno Lucis is Latin for "Year of Light." You will also see it abbreviated as "A.L." It is used as a calendar system within the Freemason fraternity.

Year of Light refers to the biblical account of the creation of the universe wherein God spoke and said: "Let there be light,...and there was light." (Genesis 1:3). You will often see the abbreviation "A.L." on Masonic certificates, plaques and building cornerstones. This calendar system is not exclusive to Freemasonry. It was designed as a simplification of the **Anno Mundi** calendar by an Irish cleric, James Ussher (1581-1656) nearly a century before the formation of the United Grand Lodge of England in 1717. Ussher established the year 4004 B.C. (approximately 6013 years ago) as the date of the biblical creation of the Earth.

Anno Lucis: *Albert Mackey, Freemason historian, in his Revised Encyclopedia of Freemasonry published in 1920 describes Anno Lucis as follows:*

Anno Lucis: "The date used in ancient Craft Masonry; found by adding 4000 to the Vulgar Era; thus, 1911 + 4000 = 5911.

Anno Mundi: In the Year of the World. The date used in the Ancient and Accepted Rite; found by adding 3760 to the Vulgar Era until September. After September, add one year more; this is because the year used is the Hebrew one, which begins in September. Thus, **July, 1911 + 3760 = 5771**, and **October, 1911 + 3760 + 1 = 5672.**"

What happened to the other 39 years between the Hebrew calendar and the Freemasons calendar system? The exact answer is lost to us, today, however consider this: In suppressing (omitting) 10 days each year from 1 A.D. thru the mid 1500s, when the Julian calendar was updated to the Gregorian calendar, this could very nearly account for the 39 year difference between the Freemason calendar system and the Hebrew calendar. (4000 - 3761).

The term, Anno Lucis, is used by Freemasons to denote the **Year of Light**, which is the year in which God created the world, approximately 4,000 years before the beginning of the Common Era. Therefore, (2009 + 4000) would be the year 6009 A.L. (Anno Lucis).

GOLDEN CITY LODGE NO. 1, A.F. & A.M. 2021 OFFICERS

WORSHIPFUL MASTER:
Drew Albrecht

SENIOR WARDEN: Mike Elegino

JUNIOR WARDEN: Thomas McKean

TREASURER: Richard Wenzel

SECRETARY: Daniel Hayman
720-808-1326

400 Tenth Street, Golden, CO 80401
Secretary@GoldenCityLodge1.org

SENIOR DEACON: Andrew Smith

JUNIOR DEACON: Tom Zumalt

SENIOR STEWARD: David
Buckingham

JUNIOR STEWARD: TBD

CHAPLAIN: Victor Walker

MARSHAL: Ryan Pucket

TYLER: Craig Petty

DIRECTOR OF THE WORK:
TBD

DISTRICT LECTURER: Michael Tims

