

GOLDEN CITY LODGE NO. 1 A.F. & A.M.

2020 STANDING COMMITTEES

WELFARE

W Page, WM – Chair
D Albrecht, SW
M Elegino, JW
D Hayman, Sec, PM

MEMORIAL FUNDS

W Page, WM - Chair
D Albrecht, SW
M Elegino, JW

GRIEVANCE

D Albrecht, SW - Chair
W Page, WM
M Elegino, JW

FINANCE

M Elegino, JW - Chair
R Wenzel, Tr, PM

POSTING

T McKean, SD - Chair
B Walker, PM
W Page, WM
C Westerhoff, PM

INVESTMENTS

J. Bartos (Chair) (2021)
V. Walker (2020)
R Wenzel Tr. (non-voting)

2020 SPECIAL COMMITTEES

SCHOLARSHIPS

W. Page (Chair)
B. Walker
R. Puckett

TECHNOLOGY

W. Page (Chair)
R. Pucket
T. Zumalt

EDUCATION

W. Page (Chair)
P. Good
D. Albrecht

MUSIC

D. Hayman (Chair)
P. Good

**GOLDEN MASONIC TEMPLE ASSOCIATION
BOARD OF DIRECTORS**

R. Puckett, President (2018-2022)
T. Zumalt, Sec/Treasurer (2019-2023)
J. Bartos, (2018-2021)
P. Good, (2020-2025)
A. Smith, (2020-2025)

**CURRENT PAST & AFFILIATED
MASTERS**

Merritt Smith:1967
Arthur Toney: 1974
James Arbuckle: 1980
Michael Mills:1984
Timothy Johansson: 1985
Charles Robinson: 1989
Craig Petty: 1997
Cliff Addenbrooke: 2001
Byron Walker: 2002
Byron Walker: 2003
Richard Wenzel: 2005
David Cooper: 2006
Thomas Dunn: 2007
Thomas Dunn: 2008
Michael Tims: 2009
Richard Wenzel: 2010
Daniel Hayman: 2011
Chris Westerhoff 2013
Steven Walker, 2014
Kevin Alcox, 2015
Robert Ceriale, 2016
Ryan Puckett 2017
Thomas Zumalt 2018
Patrick Good 2019
John Bartos 2019
Larry Bangert
Walter Cooley
Frank Duff
Michael Halpin
John Hohnstein
Lloyd McKean
Charles Noah
James Norris
Larry Ott

- Fees for Degrees: \$150
- 2019 Annual Dues and Per Capita
 - Regular Members: \$100 + \$67 = \$167
 - 65+ years of age plus 25+ years as MM: \$75 + 67 = \$142

Items for Sale

Golden Lodge Logo T-shirts.....	\$10.00
Golden Lodge Logo Polo-shir.....	\$15.00
Further Light (bookle)	\$8.00
Clear Text Key (MM).....	\$33.00

The Golden City Temple Facility is Available!

For weddings; receptions; anniversary, graduation, and birthday parties; reunions; gatherings; recitals; plays; meetings and the like, our facility is beautiful, functional and affordable!

Please contact the Temple Board (303-279-9902) for rental fees and availability.

TEMPLE CARETAKER AND SCHEDULER
Craig Petty
Temple Telephone (303) 279-9902

NON-PROFIT ORG.
U.S. POSTAGE PAID
GOLDEN, COLO.
PERMIT No. 91

DATED MATERIAL

Golden City Lodge No. 1
A.F. & A.M.
400 Tenth Street
Golden, Colorado 80401

Return Service Requested



**Golden City Lodge No. 1,
A.F. & A.M.**

Chartered October 17, 1860

June 2020

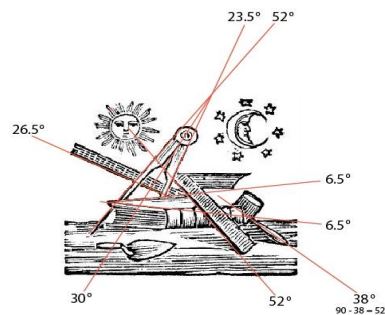
Masonic Temple Street/Mailing
Address:

Golden City Lodge No. 1 A.F. & A.M.
400 Tenth Street
Golden, Colorado 80401

Masonic Temple Telephone
Number:
(303) 279-9902

Web Site:

www.GoldenCityLodge1.org



GOLDEN CITY LODGE NO. 1, A.F. & A.M. Events Schedule

June 1 Meeting: TBD - Check Web Site
No Dinner Served This Meeting

Special Communications over the Summer will be
announced via website, e-mail and OLP

*Please join us for our ongoing monthly
“virtual meetings.” Zoom meeting links are
sent via e-mail to all Brothers.*

Youth Groups Events – TBD

Bethel No. 43, Job’s Daughters

2nd & 4th Mondays, 6:45 PM**

(girls, 11 – 18, jobs2be 8 – 10)

**Columbine Assembly No. 96, Rainbow for
Girls**

1st and 3rd Thursdays, 7:00 PM**

(girls, 10 – 18, pledges 8 – 9)

Golden Chapter, Order of DeMolay

1st and 3rd Tuesdays, 7:00 PM**

(boys, 11 – 18, squires 9-10)

** Master Masons Welcome

**Every 4th Sunday, 8 – 11 am. Pancake
Breakfast at Fellowship Hall (TBD)**

VETERANS AND FIRST RESPONDERS

We are adding your service to our data base!
Please advise the Secretary if you have served or
are serving in the military (your branch) or if you
are/were a first responder.

Message of the Worshipful Master

Brethren,

I hope this message finds you all healthy and safe as the pandemic shows signs of slowing and economies around the country begin to gain some traction by easing lockdowns. At the time of this writing, it is not known if we will hold what is typically our last Stated Communication before officially going dark or not. I suspect we will be able to meet in person for that meeting, June 1, 2020. As I have stated previously, if it is not yet in your comfort zone to resume meeting in person, that is not a problem at all. Our lodge and Freemasonry will be waiting for you when you are comfortable returning.

I know of at least two, and possibly four, EAs who are ready to prove their proficiency to us and report on something they learned since being initiated. Please join us, if we meet June 1, to participate in these proficiencies. Assuming these proficiencies are heard and acceptable, it is my plan to hold at least one Special Communication over the Summer to pass some EAs. Stay tuned to our website, forthcoming e-mail and/or the OLP app. for up to date scheduling.

During our last virtual meeting, I proposed an idea for having a picnic or cookout/potluck with members of all the Masonic bodies sometime over the summer, depending on interest and the ability to form in gatherings. The idea was well received. Be on the lookout for communication around this over the summer as well.

As most of you know, our Lodge has been very proud to participate in the annual Buffalo Bill Days events in Golden over the years. Unfortunately, due to the unknown and the inability to properly socially distance at such an event, Buffalo Bill Days has been cancelled this year. Hopefully, next year we will be able to participate in some of the fun events that were cancelled this year, namely the St Patrick’s Day celebration as well as Buffalo Bill Days.

Take care of yourselves and loved ones. I hope to see you over the Summer, either in person or in an online get together. Our virtual meetings have been well received and I am planning to continue them throughout the summer.

Fraternally,
Wyatt Page - WM

CONTACTS

- Call **303-279-9902** to contact Golden City Lodge No. 1 AF&AM, Mt. Zion Chapter No. 133 OES, Golden Chapter No. 5 RAM, Jefferson Council No. 24 R&SM, Jefferson Highlands Commandery No.30, Friendship Court No. 7 Amaranth, Bethel No. 43 Job’s Daughters, Columbine Assembly No. 96 Rainbow for Girls, Golden Chapter DeMolay.
- Call **303-861-4261** for Denver Consistory or **866-289-6797** for Scottish Rite Child Language Disorders Foundation
- Call **303-455-3470** for El Jebel Shrine or **1-800-237-5055** for Shriners Hospital or Burn Center for Children
- Call **303-756-9489** for the Robert Russell

Did You Know?

Dr. Edward Jenner, in 1789 discovered the vaccination process against smallpox. At the time, he was the Worshipful Master of the Faith and Friendship Lodge #270 in Berkeley, England.

The first registered livestock brand in Montana was the Square and Compasses dating back to before May 25, 1872 when brands were first registered. It is still in use today. In 1952, eighty-nine percent of the U.S. Supreme Court Justices were Freemasons.

In 1987, President Ronald Reagan (not a Mason) was awarded honorary membership in the Scottish Rite Bodies and in the Shrine... Masonic Jurisprudence did not and does not condone these actions! Only Master Masons may hold membership in any Appendant body.

In 1860 in Limerick, Ireland, there was found in a small chapel a stone dated 1517 with the following inscription: “I will serve to live with love & care, upon the level, by the square.”

Source: <http://saintjohns51.com/masonic-trivia/>

GOLDEN CITY LODGE NO. 1, A.F. & A.M. 2020 OFFICERS

WORSHIPFUL MASTER: Wyatt Page

SENIOR WARDEN: Drew Albrecht

JUNIOR WARDEN: Mike Elegino

TREASURER: Richard Wenzel

SECRETARY: Daniel Hayman
720-808-1326

400 Tenth Street, Golden, CO 80401
Secretary@GoldenCityLodge1.org

SENIOR DEACON: Thomas McKean

JUNIOR DEACON: Andrew Smith

SENIOR STEWARD: Jose Lopez

**JUNIOR STEWARD: David
Buckingham**

CHAPLAIN: Victor Walker

MARSHAL: TBD

TYLER: Christopher Westerhoff

**DIRECTOR OF THE WORK:
Christopher Westerhoff**

DISTRICT LECTURER: Michael Tims

Degree coaching by appointment.

**Please call:
601-870-8366**

