

Brethren, the current trestle board is looking shabby and in need of refresh. Please take a moment and contribute your opinion by either taking the survey at the below web link or mail your response back to the lodge secretary.

<https://www.surveymonkey.com/r/5BGJB9R>.

What symbols would you like to see on the trestle board?  
(Asterisk indicates symbol is on current trestle board)

2 Columns*	Gavel*
24" Gauge*	Letter "G"*
47 <sup>th</sup> Problem of Euclid*	Holy Bible*
Acacia Tree	Point within Circle/Parallel Lines
All-Seeing Eye	Sheaf of Corn
Alter	Shoe
Anchor & Ark	Square and Compass*
Ark of the Covenant	Square, Level, Plumb*
Beehive	Tessellated Floor
Blazing Star	Trowel*
Cable Tow	Winding Stairs*
Coffin*	Other

Would you prefer to have the trestle board in color, black and white outline, or no preference?

### December Birthdays

Worshipful Brother	Frank Duff
Right Worshipful Bro	Lloyd McKean
Brother	Larry Skaggs
Worshipful Brother	Christopher Westerhoff
Worshipful Brother	Wyatt Page
Brother	Thomas McKean
Brother	Samuel Petroff
Worshipful Brother	Kevin Alcox
Brother	Michael Molina

## CONTACTS

- Call **303-279-9902** to contact Golden City Lodge No. 1 AF&AM, Mt. Zion Chapter No. 133 OES, Golden Chapter No. 5 RAM, Jefferson Council No. 24 R&SM, Jefferson Highlands Commandery No.30, Friendship Court No. 7 Amaranth, Bethel No. 43 Job's Daughters, Columbine Assembly No. 96 Rainbow for Girls, Golden Chapter DeMolay.
- Call **303-861-4261** for Denver Consistory or **866-289-6797** for Scottish Rite Child Language Disorders Foundation.
- Call **303-455-3470** for El Jebel Shrine or **1-800-237-5055** for Shriners Hospital or Burn Center for Children.
- Call **303-756-9489** for the Robert Russell Eastern Star Masonic Center and Village.

- Fees for Degrees: \$150
- 2021 Annual Dues and Per Capita
  - Regular Members: \$125 + \$82 = \$207
  - 65+ years of age plus 25+ years as MM: \$100 + \$82 = \$182

Items for Sale	
Golden Lodge Logo T-shirts.....	\$10.00
Golden Lodge Logo Polo-shirt.....	\$15.00
Further Light (booklet) .....	\$8.00
Clear Text Key (MM).....	\$35.00

**The Golden City Temple Facility is Available!**

For weddings; receptions; anniversary, graduation, and birthday parties; reunions; gatherings; recitals; plays; meetings and the like, our facility is beautiful, functional and affordable!

Please contact the Temple Board (303-279-9902) for rental fees and availability.

**VETERANS AND FIRST RESPONDERS**

We are adding your service to our data base! Please advise the Secretary if you have served or are serving in the military (your branch) or if you are/were a first responder.

Golden City Lodge No. 1  
A.F. & A.M.  
400 Tenth Street  
Golden, Colorado 80401  
Return Service Requested

NON-PROFIT ORG.  
U.S. POSTAGE PAID  
GOLDEN, COLO.  
PERMIT No. 91  
DATED MATERIAL



## Golden City Lodge No. 1, A.F. & A.M.

Chartered October 17, 1860

### December 2021

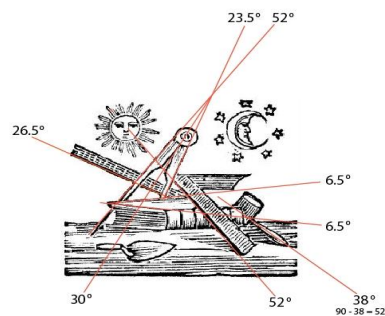
#### Masonic Temple Street/Mailing Address:

Golden City Lodge No. 1 A.F. & A.M.  
400 Tenth Street  
Golden, Colorado 80401

**Masonic Temple Telephone Number:**  
(303) 279-9902

#### Web Site:

[www.GoldenCityLodge1.org](http://www.GoldenCityLodge1.org)



## Golden City Lodge NO. 1, A.F. & A.M.

### EVENTS SCHEDULE

December 6<sup>th</sup>, EOY Reports, Elections  
Dinner at 6PM, Public Welcome  
*All Brothers Welcome*

December 20<sup>th</sup>, Officer Installation  
Holiday Dinner at 6PM, Public Welcome  
*All Brothers Welcome*

### Youth Groups Events

**Bethel No. 43, Job's Daughters**  
2<sup>nd</sup> & 4<sup>th</sup> Mondays, 6:45 PM\*\*  
(girls, 11 – 18, jobs2be 8 – 10)

**Columbine Assembly No. 96, Rainbow for Girls**

1<sup>st</sup> and 3<sup>rd</sup> Thursdays, 7:00 PM\*\*  
(girls, 10 – 18, pledges 8 – 9)

**Golden Chapter, Order of DeMolay**

1<sup>st</sup> and 3<sup>rd</sup> Tuesdays, 7:00 PM\*\*  
(boys, 11 – 18, squires 9-10)  
\*\* Master Masons Welcome

### Message of the Worshipful Master

Hello Brothers,

We have had another full month with a step-up night which was fun to watch the brothers try new roles, two great educations (thank you WB Tom, WB Wyatt, and Brother Ben), and two brothers give their MM proficiencies.

As my year in the East ends, I want to give a huge thank you to every brother. We have had an amazing year that started out unique. We started with lock downs, unable to meet. But with brothers ready to advance in the degrees and prospects waiting to join it was time to get to work as soon as we could get together in person. Almost every meeting we held this year was degree work and/or proficiencies, including specials and the Ghost Lodge this summer. For all the work to advance the brothers and support shown to me this year. Thank you.

Fraternally,  
WM Drew Albrecht

### Message of the Senior Warden

Brethren,

I hope this message finds everyone well and you all are enjoying friends and family around the holiday season. This time of year we are often reminded about hope and charity that comes with the holidays. However, as Masons, we celebrate hope and charity all year round. I found a good quote from an Anonymous source, "The Freemason's charity is a tradition of caring. It is kindness more than deeds. It is an expression, a look, a touch. It is anything that lifts another person." So reach out to your fellow brother, friend, or neighbor and continue that great work as a Mason.

Have a safe and wonderful holiday season! All the best,

Mike Elegino, SW

### Candlelight

Keeping Time: Origins of the Days of the Week

#### Germanic adaptations

The English words for each day bear remnants of Roman tradition, but they have been filtered through centuries of Germanic and Norse myths. The Germanic people adapted the Roman system by identifying Roman gods with their own deities.

**Sunday** comes from Old English "Sunnandæg," which is derived from a Germanic interpretation of the Latin *dies solis*, "sun's day." Germanic and Norse mythology personify the sun as a goddess named Sunna or Sól.

**Monday** likewise comes from Old English "Mōnandæg," named after Máni, the Norse personification of the moon (and Sól's brother).

**Tuesday** comes from Old English "Tiwesdæg," after Tiw, or Tyr, a one-handed Norse god of dueling. He is equated with Mars, the Roman war god.

**Wednesday** is "Wōden's day." Wōden, or Odin, was the ruler of the Norse gods' realm and associated with wisdom, magic, victory and death. The Romans connected Wōden to Mercury because they were both guides of souls after death. "Wednesday" comes from Old English "Wōdnesdæg."

**Thursday**, "Thor's day," gets its English name after the hammer-wielding Norse god of thunder, strength and protection. The Roman god Jupiter, as well as being the king of gods, was the god of the sky and thunder. "Thursday" comes from Old English "Þūnresdæg."

**Friday** is named after the wife of Odin. Some scholars say her name was Frigg; others say it was Freya; other scholars say Frigg and Freya were two separate goddesses. Whatever her name, she was often associated with Venus, the Roman goddess of love, beauty and fertility. "Friday" comes from Old English "Frīgedæg."

**Saturday**, Germanic and Norse traditions didn't assign any of their gods to this day of the week. They retained the Roman name instead. The English word "Saturday" comes from the Anglo-Saxon word "Sæturnesdæg," which translates to "Saturn's day."

By Robert Coolman May 07, 2014

## GOLDEN CITY LODGE NO. 1, A.F. & A.M. 2021 OFFICERS

**WORSHIPFUL MASTER:**  
Drew Albrecht

**SENIOR WARDEN:** Mike Elegino

**JUNIOR WARDEN:** Thomas McKean

**TREASURER:** Richard Wenzel

**SECRETARY:** Daniel Hayman  
720-808-1326

400 Tenth Street, Golden, CO 80401  
[Secretary@GoldenCityLodge1.org](mailto:Secretary@GoldenCityLodge1.org)

**SENIOR DEACON:** Andrew Smith

**JUNIOR DEACON:** Tom Zumalt

**SENIOR STEWARD:** David  
Buckingham

**JUNIOR STEWARD:** TBD

**CHAPLAIN:** Victor Walker

**MARSHAL:** Ryan Puckett

**TYLER:** Craig Petty

**DIRECTOR OF THE WORK:** TBD

**DISTRICT LECTURER:** Michael Tims

